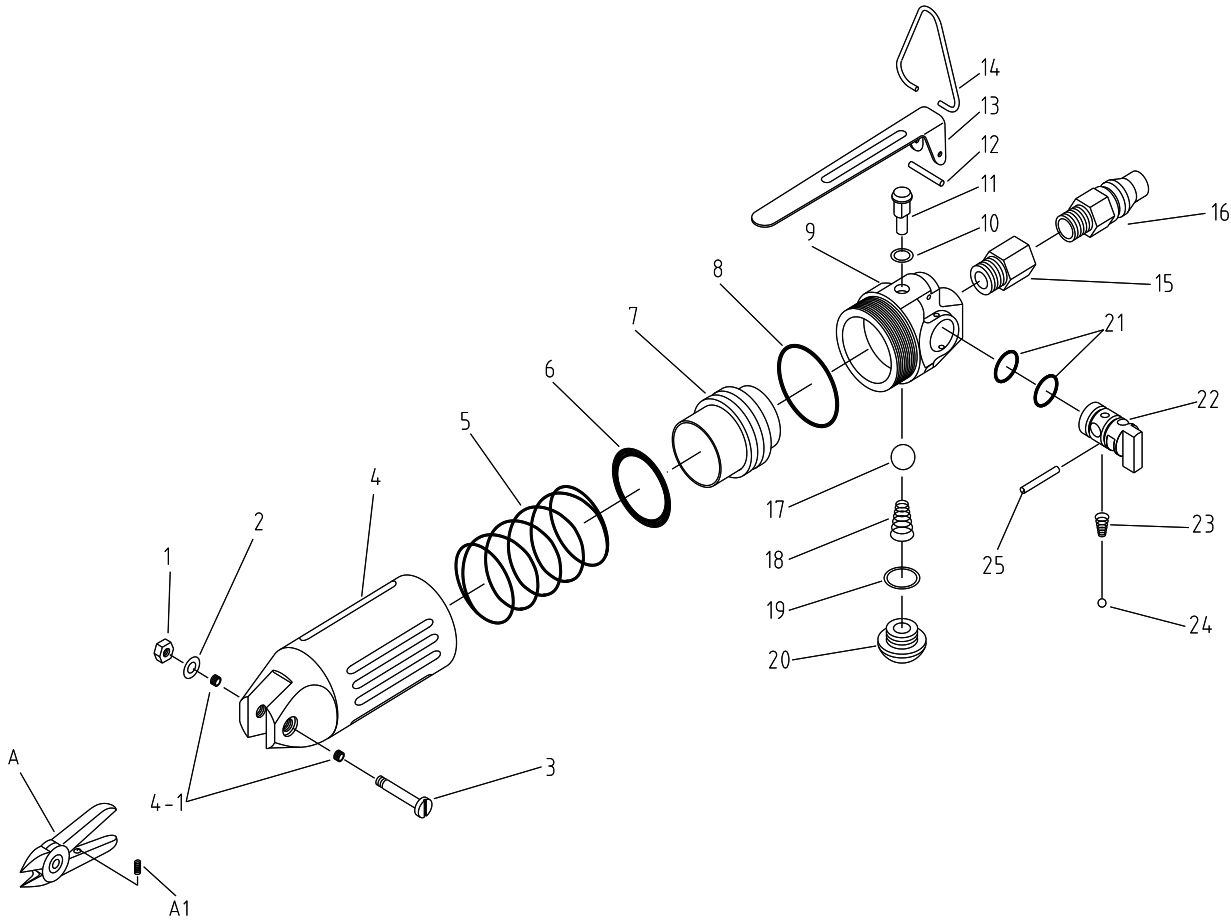


# SR1578 AIR NIPPER W/BLADE



## PARTS LIST

No.	Description	Q'ty	No.	Description	Q'ty
1	Nut	1	14	Hanger	1
2	Washer	1	15	Joint	1
3	Screw Pin	1	16	Air Inlet	1
4	Body	1	17	Nylon Ball P8	1
5	Retention Spring	1	18	Spring	1
6	O-Ring	1	19	O-Ring	1
7	Piston	1	20	Stop Screw	1
8	O-Ring	1	21	O-Ring	2
9	Valve Set (Incl #10,11,12,13,14,15,16, 17,18,19)	1	22	Valve Switch	1
10	O-Ring	1	23	Spring	1
11	Switch Pin	1	24	Nylon Ball 7mm	1
12	Spring Pin	1	25	Spring Pin	1
13	Lever	1	A	Blade	1
			A-1	Spring	1